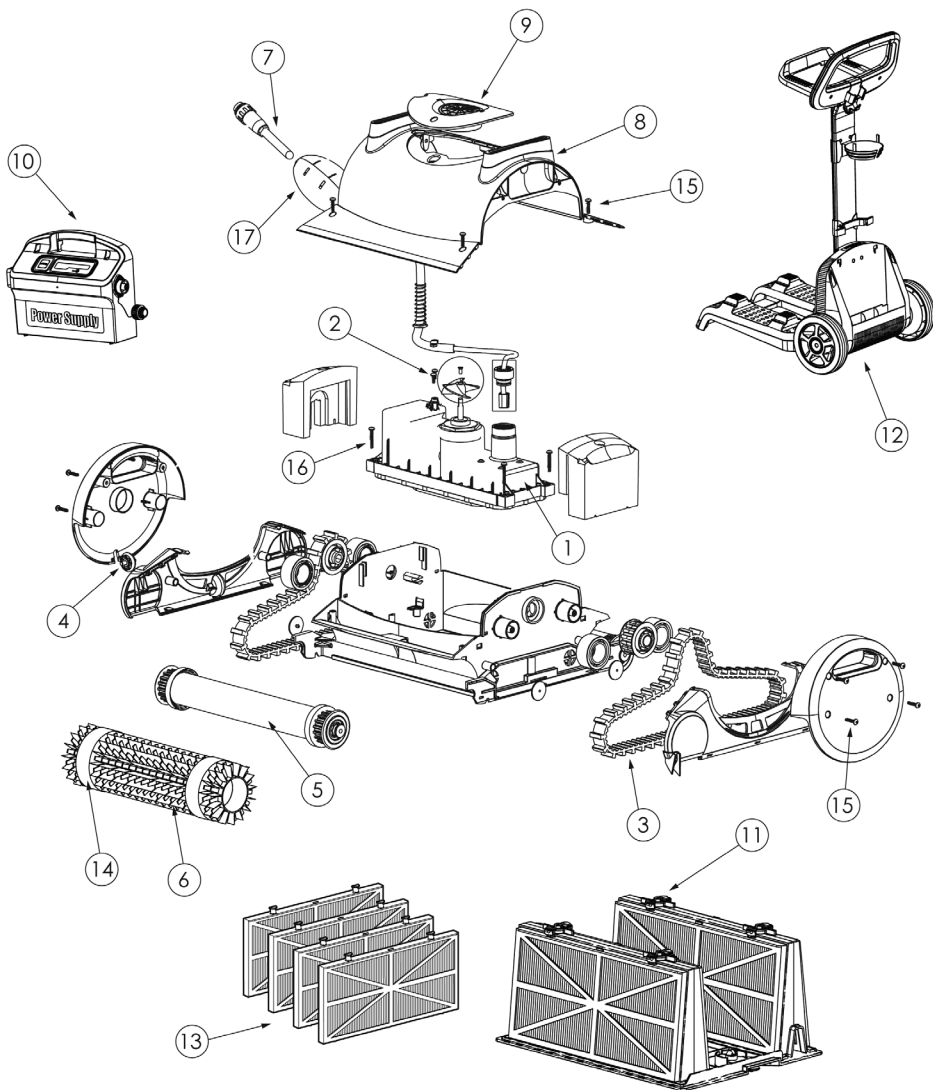


# KREEPY KRAULY® PROWLER® 820

## CLEANER REPLACEMENT PARTS



| Item                                 | Part No. | Description                  |
|--------------------------------------|----------|------------------------------|
| <b>PROWLER 820 REPLACEMENT PARTS</b> |          |                              |
| 1                                    | 360132   | Motor - 820                  |
| 2                                    | 360131   | Impeller - 820/830           |
| 3                                    | 360133   | Timing track                 |
| 4                                    | 360134   | Side wheel - 820             |
| 5                                    | 360135   | Wheel tube - 820/830         |
| 6                                    | 360136   | Brush - 820/830              |
| 7                                    | 360137   | Cable - 820/830              |
| 8                                    | 360138   | Case - 820                   |
| 9                                    | 360139   | Impeller cover               |
| 10                                   | 360125   | Power supply - 820           |
| 11                                   | 360140   | Cartridge assembly - 820/830 |

| Item             | Part No. | Description  |
|------------------|----------|--|
| 12               | 360141   | Caddy  |
| 13               | 360123   | Spring filter -820/830                               |
| 14               | 360142   | Climbing ring (4) - 820/830                          |
| 15               | 360143   | Small screw - 820/830                                |
| 16               | 360144   | Large screw - 820/830                                |
| 17               | 360150   | Float Kit - 820                                      |
| <b>NOT SHOWN</b> |          |  |
|                  | 360124   | Cartridge Filter Kit - 820/830                       |
|                  | 360148   | Wonder Brush Kit (for slick pool surfaces) - 820/830 |